

	Pages
<i>Order Notes</i>	3
CYLINDERS	4-11
<i>Cylinder</i> JMC60 JMC46 JMC30	4
<i>Sliding Claw</i> JMHSL C60 JMHSL C46 JMHSL C60A JMHSL C46A	5
<i>Sliding Cylinder</i> JMC60SL JMC46SL JMC30SL	6
<i>CODES Sliding Cylinder</i> JMC60SL JMC46SL JMC30SL	7
<i>Deadbolt Only</i> JMC60D JMC46D JMC30D	8
<i>Long Body</i> JMCL60 JMCL46	9
<i>Cylinder</i> JMCD46 JMC29	10
LEVER MORTICE	11-17
<i>5 Lever Mortice</i> JM560, JM546 JM25	11
<i>Sliding Claw</i> JMHSL 560 JMHSL 546 JMHSL5 60A JMHSL 546A	12
<i>Sliding</i> JM560SL JM546SL	13
<i>CODES Mortice Sliding</i> JM560SL JM546SL	14
<i>Deadbolt</i> JM560D JM546D JM25D	15
<i>Deadbolt</i> JM29	16
<i>Old Style 5 Lever</i> JMW127 JMW101	17
PRIVACY	18-19
<i>Mortice</i> JM160 JM146 JM125	18
<i>Sliding Claw</i> JMHSL PV60, JMHSL PV46	19
LATCHES	20-23
<i>Sliding Privacy</i> JSP1 <i>Sliding Latches</i> JSL2	20
<i>Latches</i> JM60, JM40	21
<i>Latches</i> JM46	22
<i>Latches</i> JM560L JM546L JM25L	23
LOCK BOXES	24
CABINET LOCKS	25-28
<i>Cupboard</i> JC series	25
<i>Cut Cupboard</i> JC72, 70, 76	26
<i>Drawer</i> JT series	27
<i>Box</i> JB series	28
ESCUTCHEONS	29
SAFE LOCKS	29-34
<i>Pin Tumbler</i> JDL4	29
JRL6	30
JBP6	31
JBS6	32
JBW6	33
JBS8	34
PADLOCKS	35

Jacksons Lock Manufacturing Pty Ltd

ABN: 83 009 487 727

PO Box 522, 171 Ravenswood Road, Launceston, Tasmania 7250

P: 03 6339 1662 F: 03 6339 3444

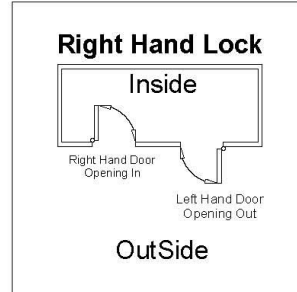
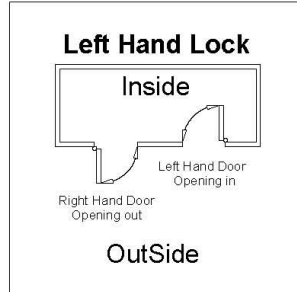
www.jacksonslocks.com.au

sales@jacksonslocks.com.au

QUALITY AUSTRALIAN MADE LOCKS SINCE 1883

HANDING

When ordering handed locks or kits please specify RH or LH lock



FINISHES

AVAILABLE FINISHES:

- C.P. Chrome Plate
- S.C. Satin Chrome
- F.B. Florentine Bronze
- P.B. Polished Brass
- S.B. Satin Brass
- M.B. Matt Black
- P.N. Polished Nickel
- S.N. Satin Nickel

OTHER CODES:

- A - Astragal
- R - Rebated
- DS - Double Sprung
- KA - Lever locks keyed alike
- KD - Lever locks keyed to different keys

Please indicate which type of finish when ordering. Visit our website to see finishes.

STRIKERS & FORENDS



Plain Striker & Forend For normal hinged door



Rebated Striker & Forend for rebated french doors



Astragal Forend & Striker for sliding doors

EXAMPLE ORDER

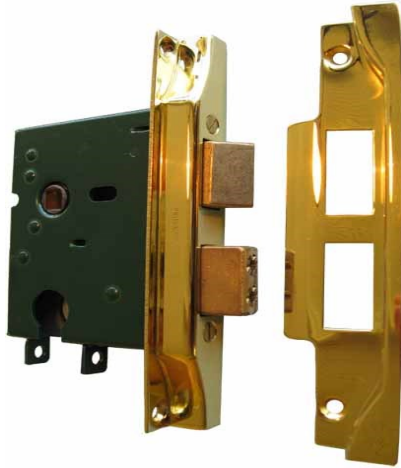
10 x JM560 PB DS KA

JM560	PB	DS	KA
Lock Code	Finish	Double Sprung	Keying

When ordering put the lock name followed by other codes. See 'Other Codes' above for list of relevant codes.

Mortice Lock without cylinder

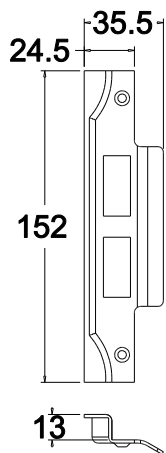
The JMC60, C46, C30 are Profile Cylinder Mortice Locks and are popular for domestic use. They provide a high level of security. Cylinders are not included.



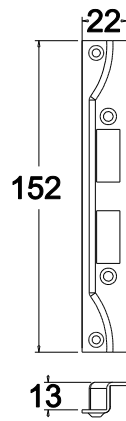
JMC60R Rebated



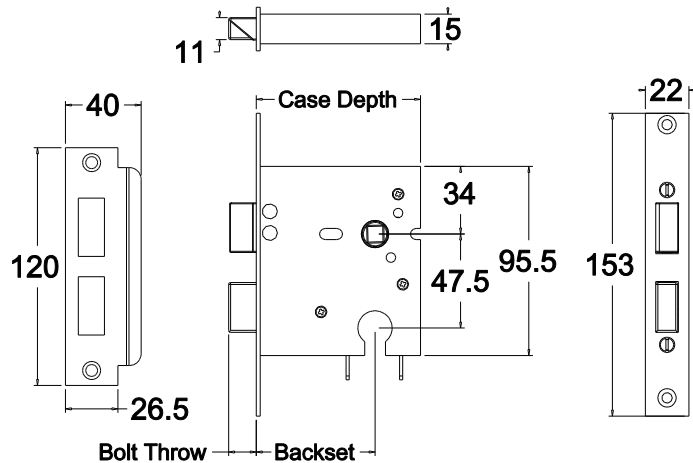
JMC60



Rebated Striker



Rebated Forend



	Case Depth	Bolt Throw	Backset
JMC60*	83	14	60
JMC46*	69	14	46
JMC30	55	10	30

MATERIALS

Case: Galvanneal

Pins: Brass

Kits: Brass or Stainless Steel

Bolts: Brass

CODES

JMC60

JMC60R Rebated

JMC46

JMC46R Rebated

JMC30

JMC30R Rebated

JMC60 BODY JMC46 BODY JMC30 BODY Cylinder Body Only

KITSJMC60/560 Plain Forend & Striker sets to suit Cylinder locks

KITSJMC60R/560R Rebated Forend & Striker sets to suit Cylinder locks

DS *These locks can be Double Sprung 'DS' on request.

Please indicate which type of finish when ordering. Refer page 3.

Mortice Lock Sliding Claw without cylinder

The JMHSL C60, C46 are Sliding Claw type Cylinder locks suitable for sliding doors. Cylinders are not included. The claws are flush when unlocked. They feature very strong 5mm thick Stainless Steel claws. The claws throw vertically up and down to prevent track jumping if under attack. Small lock body size for minimum wood removal.



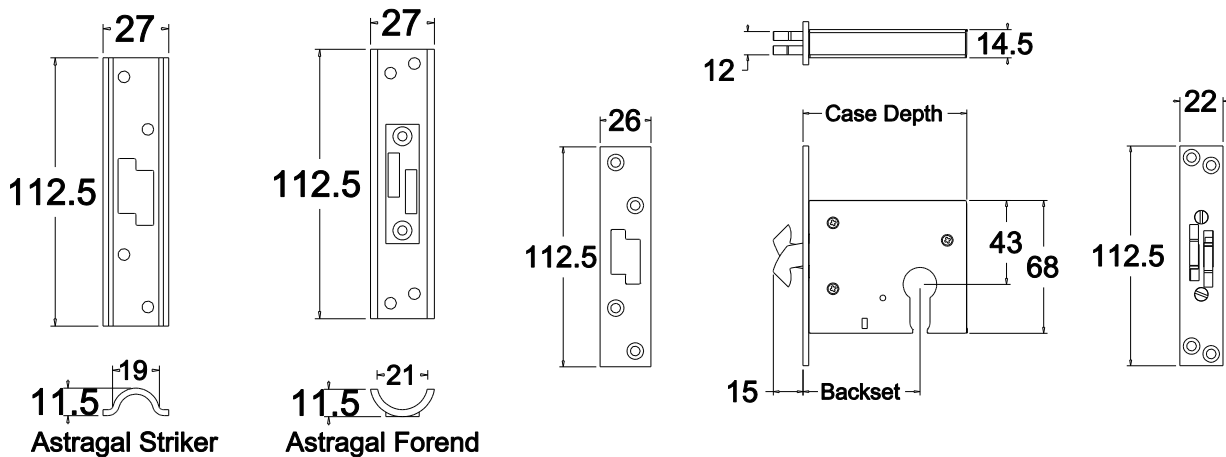
JMHSL C60



JMHSL C60A Astragal



JMHSL PV Follower
The Follower can be purchased separately or as a complete lock see Privacy section for more details



	Case Depth	Backset
JMHSL C60	84	60
JMHSL C46	71	46

MATERIALS

Case: Galvanneal

Pins: Brass

Kits: Brass or Stainless Steel

Bolt: Stainless Steel

CODES

JMHSL C60 Sliding

JMHSL C60A Sliding Astragal

JMHSL C46 Sliding

JMHSL C46A Sliding Astragal

JMHSL C60 BODY **JMHSL C46 BODY** Cylinder Body Only

KITSJMHSL C60/560 Forend & Striker Sets to suit JMHS LC46, 60

KITSJMHSL C60A/560A Astragal Forend & Striker Sets to suit JMHS LC46A, 60A

JMHSL PV/FOLLOWER Privacy Follower (specify broach size)

Please indicate which type of finish when ordering. Refer page 3.

Please indicate Broach size when ordering.

Broaches for Privacy Follower:

4.8mm 5.1mm 6.5mm 8.0mm 6mm x 2mm Flat Tail

Mortice Locks Sliding without cylinder

The JMC60SL, C46SL offer good security in a sliding door situation. Their dimensions are the same as standard cylinder locks except the brass hook bolt replaces the latch bolt. The bottom bolt serves to secure the door from vertical movement. Cylinders are not included in these locks.



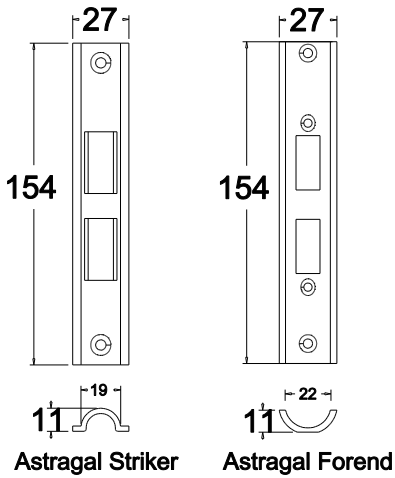
JMC60SL Sliding



JMC60SLR Sliding Rebated

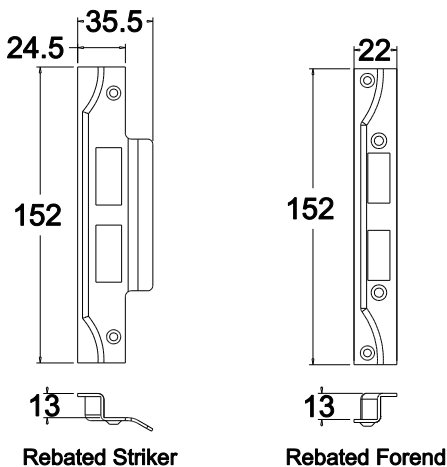
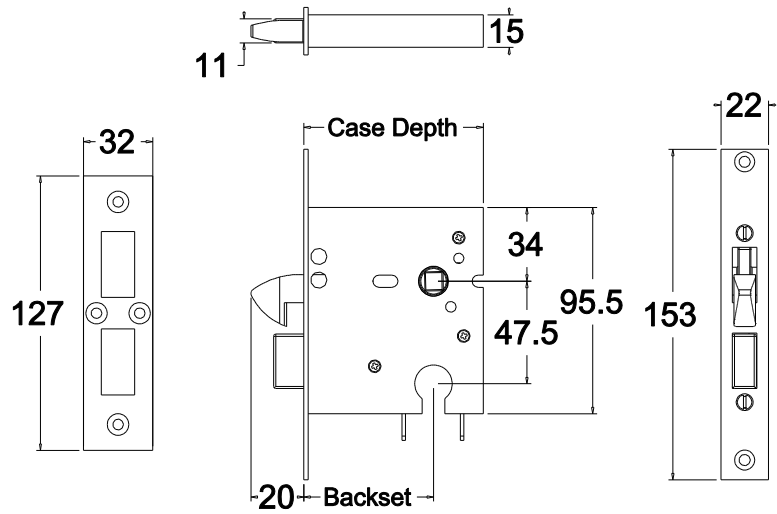


JMC60SLA Sliding Astragal



Astragal Striker

Astragal Forend



Rebated Striker

Rebated Forend

	Case Depth	Backset
JMC60SL	83	60
JMC46SL	69	46

MATERIALS

Case: Galvanneal

Pins: Brass

Bolts: Brass

Kits: Brass

Stainless Steel

See CODES page 7

Mortice Locks Sliding without cylinder

JMC60SL, C46SL

CODES

JMC60SL *Sliding*

JMC60SL UP* *Sliding Hook bolt stays up when unlocked*

JMC60SL R *Sliding Rebated*

JMC60SL UPR* *Sliding Rebated Hook bolt stays up when unlocked*

JMC60SL A *Sliding Astragal*

JMC60SL UP* *Sliding Astragal Hook bolt stays up when unlocked*

JMC46SL *Sliding*

JMC46SL UP* *Sliding Hook bolt stays up when unlocked*

JMC46SL R *Sliding Rebated*

JMC46SL UPR* *Sliding Rebated Hook bolt stays up when unlocked*

JMC46SL A *Sliding Astragal*

JMC46SL UP* *Sliding Astragal Hook bolt stays up when unlocked*

JMC60SL BODY JMC46SL BODY *Sliding Cylinder Body Only*

JMC60SL UP* BODY JMC46SL UP* BODY *Sliding Cylinder Body Only Hook bolt stays up when unlocked*

KITSJMC60SL/560SL *Plain Forend & Striker sets to suit Cylinder Sliding locks*

KITSJMC60SLR/560SLR *Rebated Forend & Striker sets to suit Cylinder Sliding locks*

KITSJMC60SLA/560SLA *Astragal Forend & Striker sets to suit Cylinder Sliding locks*

MATERIALS

Case: Galvanneal

Pins: Brass

Bolts: Brass

Kits: Brass, Stainless Steel

***SL UP** *locks and unlocks with key (no handle)
No 'UP' handle is used to open/close door and is
locked with key.*

Please indicate which type of finish when ordering. Refer page 3.

Mortice Locks DEADBOLT without cylinder

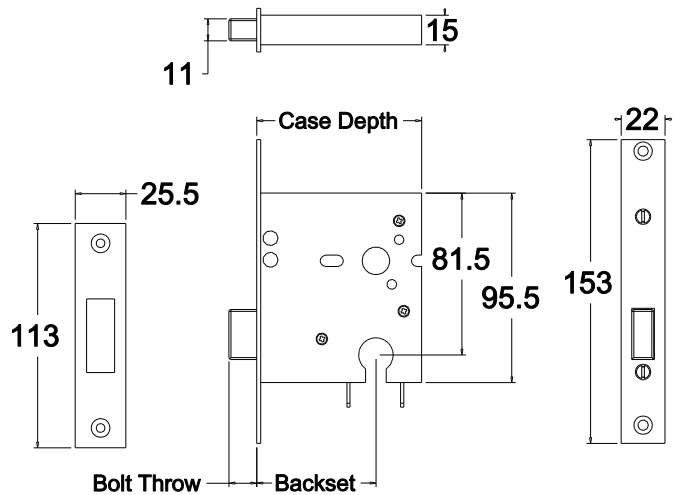
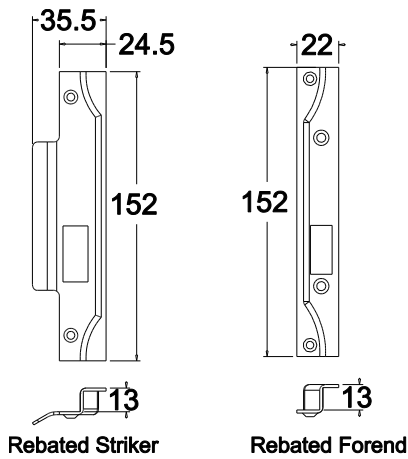
The JMC60D, JMC46D and JMC30D Deadbolt only Cylinder



JMC60DR Deadbolt Rebated (L/Handed Open In)



JMC60D Deadbolt



	Case Depth	Bolt Throw	Backset
JMC60D	83	14	60
JMC46D	69	14	46
JMC30D	55	10	30

CODES

JMC60D Deadbolt

JMC60DR Deadbolt Rebated (specify handing)

JMC46D Deadbolt

JMC46DR Deadbolt Rebated (specify handing)

JMC30D Deadbolt

JMC30DR Deadbolt Rebated (specify handing)

JMC60D BODY JMC46D BODY JMC30D BODY

Deadbolt Cylinder Body Only

KITSJMC60D/560D

Plain Forend & Striker sets to suit Cylinder Deadbolt locks

KITSJMC60DR/560DR (specify handing)

Rebated Forend & Striker sets to suit Cylinder Deadbolt locks

Rebated Only: Please specify RH or LH lock—Refer page 3

Please indicate which type of finish when ordering. Refer page 3.

Mortice Lock Long Body without cylinder

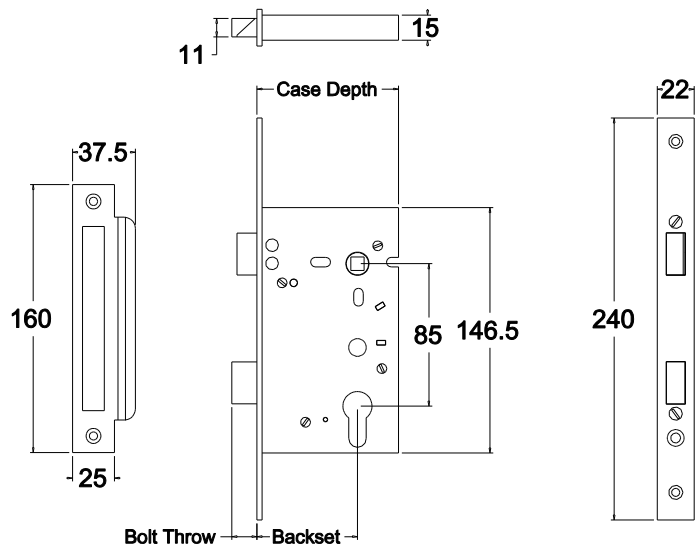
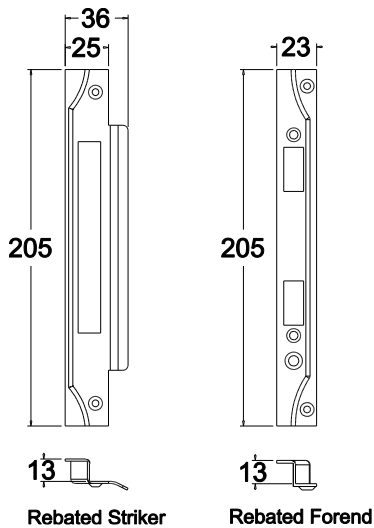
The long body cylinder lock with cylinder latch retract and the option of a stronger spring for extra heavy unsprung furniture. The locking bolt has hardened rollers. This lock replaces the old long body locks. Double Sprung as standard.



JMCL60



JMCL60R Rebated



	Case Depth	Bolt Throw	Backset
JMCL60	84	13	60
JMCL46	69.5	13	46

CODES

JMCL60

JMCL60R Rebated

JMCL46

JMCL46R Rebated

JMCL60 BODY JMCL46 BODY Cylinder Body Only

KITSJMCL60/46 Plain Forend & Striker sets to suit Long Body Cylinder locks

KITSJMCL60R/46R Rebated Forend & Striker sets to suit Long Body Cylinder locks

MATERIALS

Case: Galvanneal

Pins: Brass

Kits: Brass

Please indicate which type of finish when ordering. Refer page 3.

CYLINDERS

Mortice Locks without cylinder

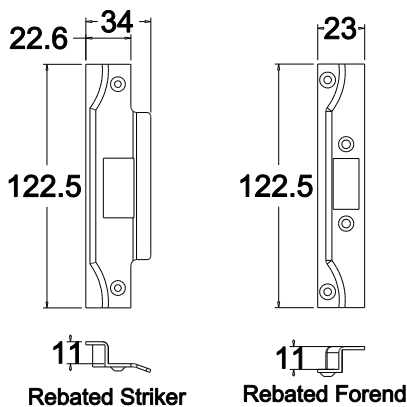
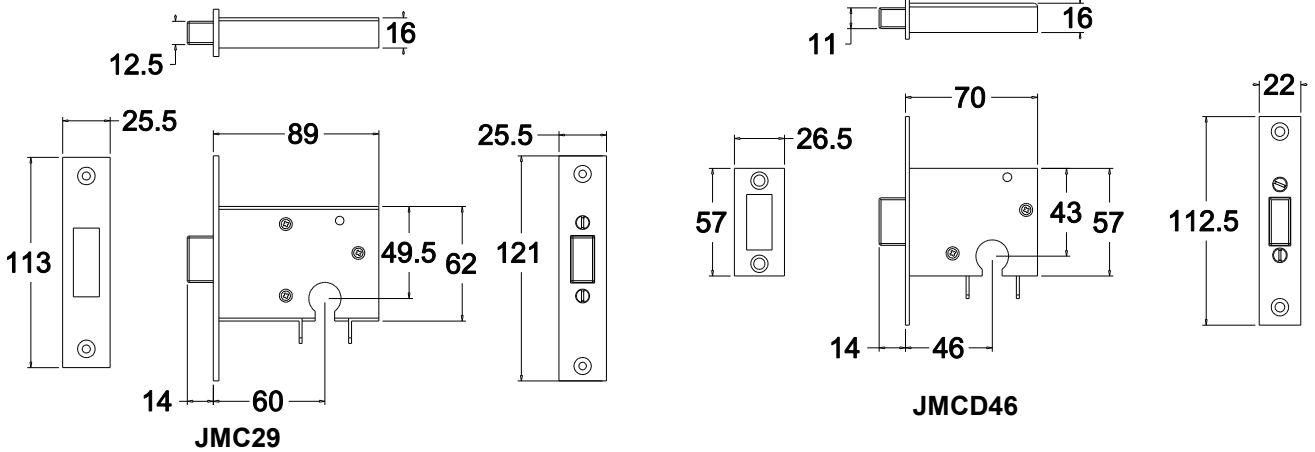
The JMC29 & JMCD46 are secure Profile Cylinder Deadbolts.



JMC29R Rebated

JMC29

JMC29 Striker Box



MATERIALS

Case: Galvanneal

Pins: Brass

Bolts: Brass

Kits: Brass or Stainless Steel

CODES

JMCD46

JMCD46R Rebated

JMC29

JMC29R Rebated

JMCD46 BODY JMC29 BODY Cylinder Body Only

KITSJMCD46 Plain Forend & Striker sets to suit JMCD46

KITSJMCD46R Rebated Forend & Striker sets to suit JMCD46R

KITSJMC29/29 Plain Forend & Striker sets to suit JMC29

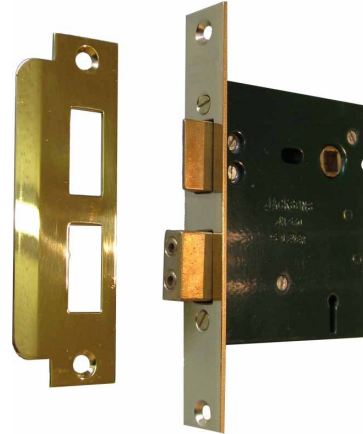
KITSJMC29R/29R Rebated Forend & Striker sets to suit JMC29R

Please indicate which type of finish when ordering. Refer page 3.

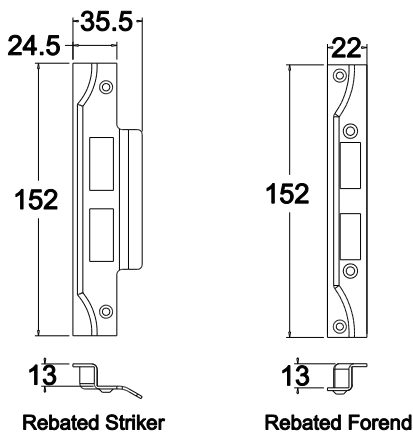
The JM560, JM546 and JM25 all provide a high level of protection from both physical attack and manipulation. These locks should be specified where security is required and are particularly useful as replacements for older style single and two lever locks.



JM560R Rebated

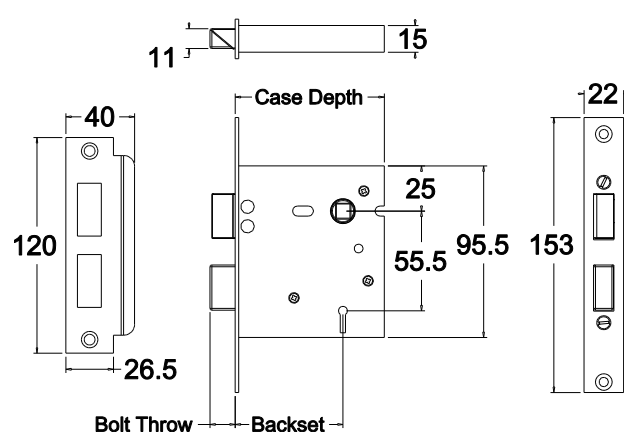


JM560



Rebated Striker

Rebated Forend



Bolt Throw

Backset

	Case Depth	Bolt Throw	Backset
JM560*	83	14	60
JM546*	69	14	46
JM25	55	10	30

CODES

JM560 2 keys

JM560R Rebated 2 keys

JM546 2 keys

JM546R Rebated 2 keys

JM25 2 keys

JM25R Rebated 2 keys

JM560 BODY JM546 BODY JM25 BODY Body Only 2 keys

KITSJMC60/560 Plain Forend & Striker sets - JM560, 546, 25

KITSJMC60R/560R Rebated Forend & Striker sets - JM560, 546, 25

LEV Mortice Levers (Specify 1, 2, 3, 4, 5 or 6)

LEVPK Lever Packs

KEX Extra Mortice Key during Manufacturing

SCRPKJMC60/560 Screw packs

KA Keying Alike No Charge for 5 Lever Mortice Locks

Key cut to code POA

DS *These locks can be Double Sprung 'DS' on request.

MATERIALS

Case: Galvanneal

Pins: Brass

Bolts: Brass

Kits: Brass or Stainless Steel

Levers: 5 Brass Open Ended Pick Resisting

Differs: Approximately 320

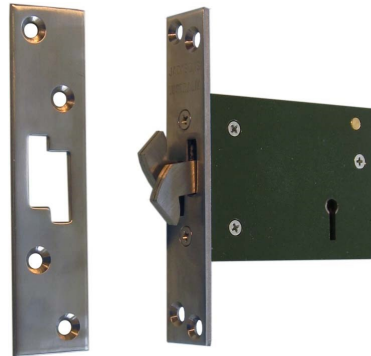
Key Blank: No. 747

Please indicate which type of finish when ordering. Refer page 3.

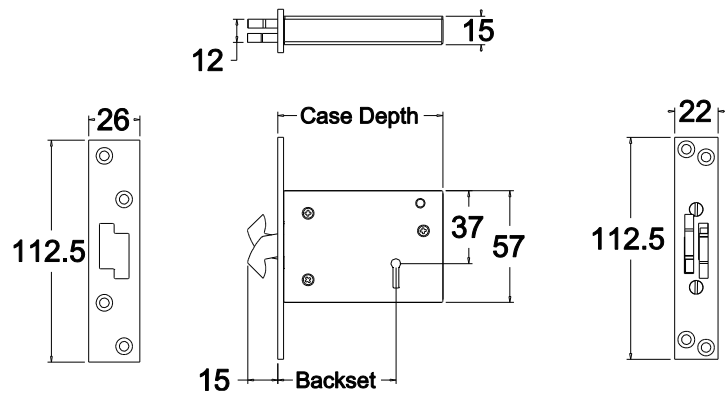
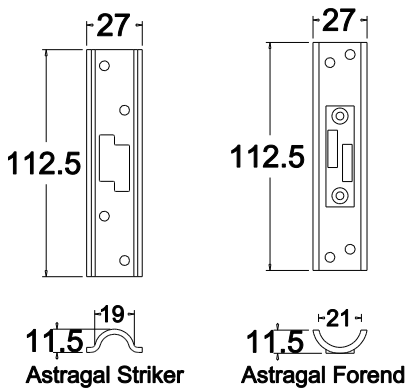
The JMHSL 546 & 560 are 5 lever claw type sliding locks with good security. No protruding cylinder enables the door to slide flush into the door cavity. The claws are flush when unlocked. Can be keyed alike with other 5 lever locks but only to certain key profiles. Small lock body size for minimum wood removal. Forend & striker made from stainless steel in satin stainless steel finish.



JMHSL 546A Astragal



JMHSL 560



	Case Depth	Backset
JMHSL 560	84	60
JMHSL 546	71	46

MATERIALS

Case: Galvanneal

Pins: Brass

Bolts/Claws: Stainless Steel

Kits: Brass or Stainless Steel

CODES

JMHSL 560 2 keys

JMHSL 560A 2 keys

JMHSL 546 2 keys

JMHSL 546A 2 keys

JMHSL 560 BODY JMHSL 546 BODY Body Only 2 keys

KITSJMHSL 560/546 Forend & Striker Sets to suit JMHSL560,546

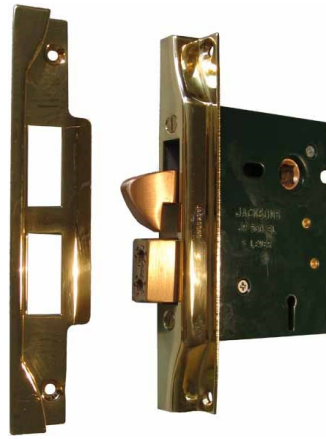
KITSJMHSL 560A/546A Astragal Forend & Striker sets to suit JMHSL560A/546A

Please indicate which type of finish when ordering. Refer page 3.

The JM560SL, JM546SL offer 5 lever security in a sliding door situation. Their dimensions are the same as the standard 5 lever locks except that a brass hook bolt replaces the latch bolt. The bottom bolt serves to secure the door from vertical movement. Locks can be Keyed Alike.



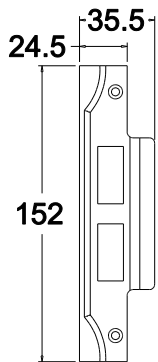
JM560SL



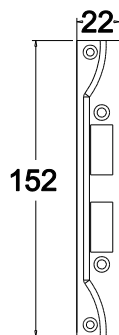
JM560SLR Rebated



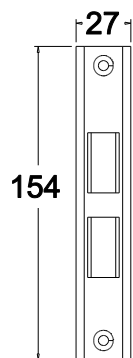
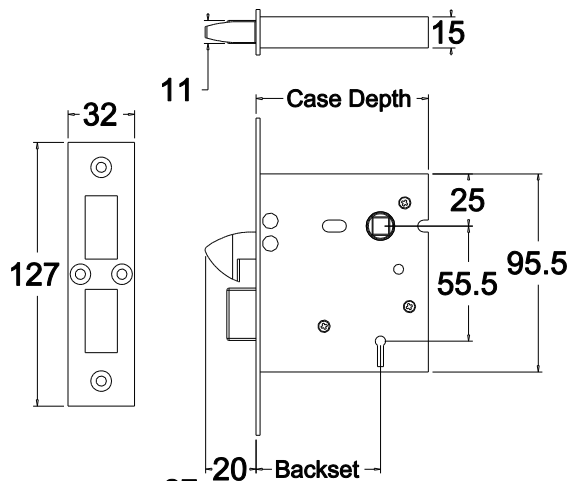
JM560SLA Sliding Astragal



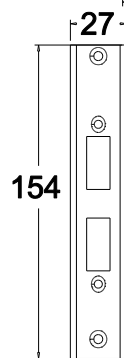
13
Rebated Striker



Rebated Forend



11 19
Astragal Striker



11 22
Astragal Forend

	Case Depth	Backset
JM560SL	83	60
JM546SL	69	46

See **CODES** page. 14

CODES

JM560SL Sliding 2 keys

LEV Mortice Levers

JM560SL UP* Sliding Hook bolt stays up when unlocked 2 keys

LEVPK Lever Packs

JM560SL R Sliding Rebated 2 keys

KEX Extra Mortice Key during Manufacturing

JM560SL UPR* Sliding Rebated Hook bolt stays up when unlocked 2 keys

SCRPKJMC60/560 Screw packs

JM560SL A Sliding Astragal 2 keys

KA Keying Alike No Charge for 5 Lever Mortice Locks

JM560SL UPA* Sliding Astragal Hook bolt stays up when unlocked 2 keys

JM546SL Sliding 2 keys

JM546SL UP* Sliding Hook bolt stays up when unlocked 2 keys

JM546SL R Sliding Rebated 2 keys

JM546SL UPR* Sliding Rebated Hook bolt stays up when unlocked 2 keys

JM546SL A Sliding Astragal 2 keys

JM546SL UPA* Sliding Astragal Hook bolt stays up when unlocked 2 keys

JM560SL BODY JM546SL BODY Sliding Lock Bodies Only 2 keys

JM560SL UP BODY JM546SL UP BODY Sliding Lock Body Only Hook bolt stays up when unlocked 2 keys

KITSJMC60SL/560SL

Plain Forend & Striker sets to suit JM560,546, Sliding locks

KITSJMC60SLR/560SLR

Rebated Forend & Striker sets to suit JM560,546, Sliding locks

KITSJMC60SLA/560SLA

Astragal Forend & Striker sets to suit Astragal Sliding locks

***SL UP** locks and unlocks with key (no handle)
No 'UP' handle is used to open/close door and is locked with key.

MATERIALS

Cases: Galvanneal

Bolts: Brass

Pins: Brass

Kits: Brass or Stainless Steel

Levers: 5 Brass Open Ended Pick Resisting

Differs: Approximately 320

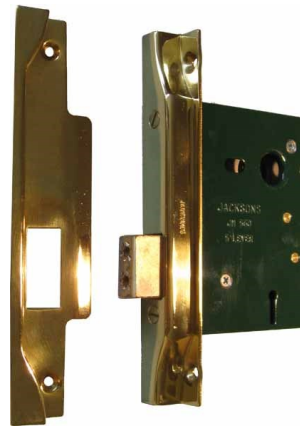
Key Blanks: No. 747

Please indicate which type of finish when ordering. Refer page 3.

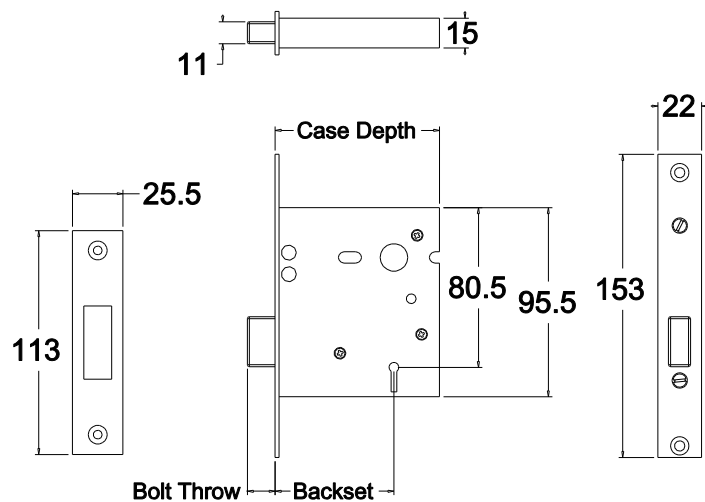
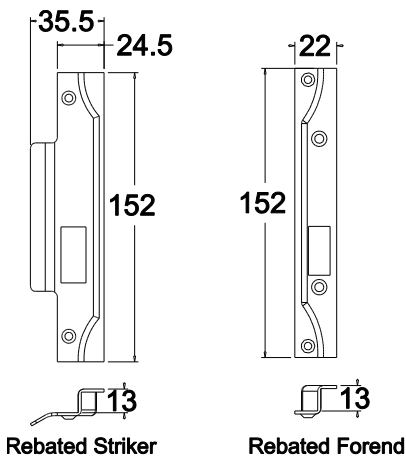
5 Lever lock without latch. Please specify LEFT or RIGHT hand in Rebated.



JM560D



JM560DR Rebated (Left hand shown)



	Case Depth	Bolt Throw	Backset
JM560D	83	14	60
JM546D	69	14	46
JM25D	55	10	30

MATERIALS

Case: Galvanneal

Pins: Brass

Bolt: Brass

Kits: Brass or Stainless Steel

CODES

JM560D 2 keys

JM560DR Rebated (specify handing) 2 keys

JM546D 2 keys

JM546DR Rebated (specify handing) 2 keys

JM25D 30mm Backset 2 keys

JM25DR Rebated 30mm Backset (specify handing) 2 keys

JM560D BODY JM546D BODY JM25D BODY
Deadbolt Body Only 2 keys

KITSJMC60D/560D

Plain Forend & Striker sets to suit Deadbolt locks

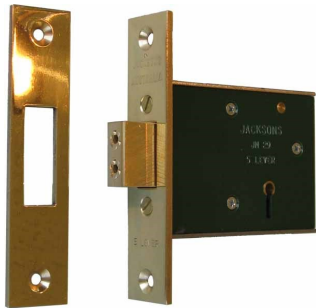
KITSJMC60DR/560DR (specify handing)

Rebated Forend & Striker sets to suit Deadbolt locks

Rebated Only: Please specify RH or LH lock—Refer page 3

Please indicate which type of finish when ordering. Refer page 3.

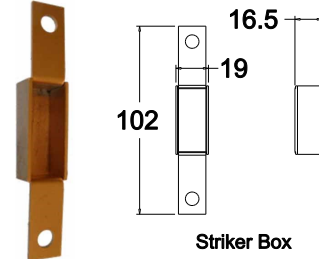
The JM29 Deadbolt Provides a high level of security. They can be keyed alike to the 5 lever range of mortice locks.



JM29

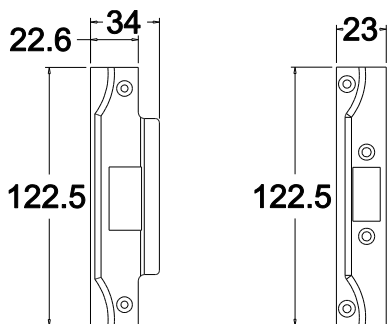


JM29R Rebated



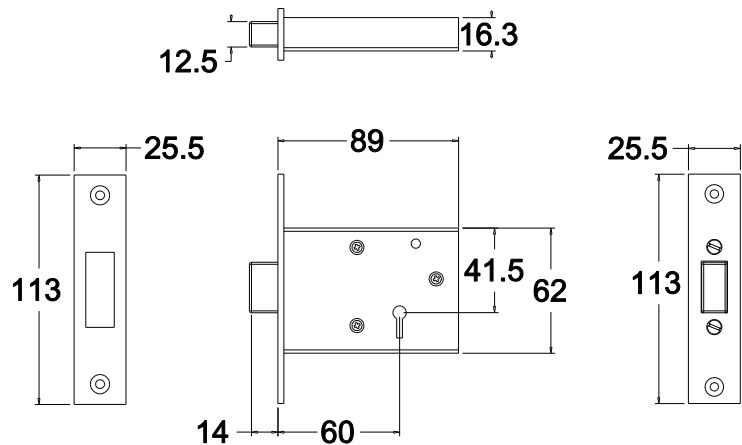
Striker Box

**JM29 Striker Box
(+ JM29 Escutcheons included)**



11
Rebated Striker

11
Rebated Forend



MATERIALS

Case: Galvanneal

Bolts: Brass

Curtain: Restricts access to the Lock

Levers: 5, Pick Resisting, Brass

Differs: Approximately 1000

Key Blanks: No. 747

Escutcheons: 1 with Cover, 1 without

Kits: Brass or Stainless Steel

CODES

JM29 2 keys

JM29R Rebated 2 keys

JM29 BODY JM29 Body Only 2 keys

KITSJMC29/29

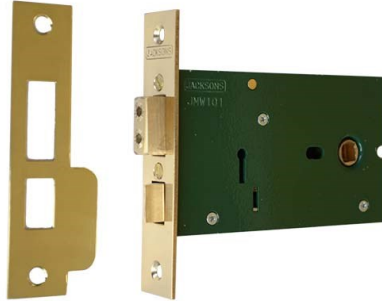
Plain Forend & Striker sets to suit JM29

KITSJMC29R/29R

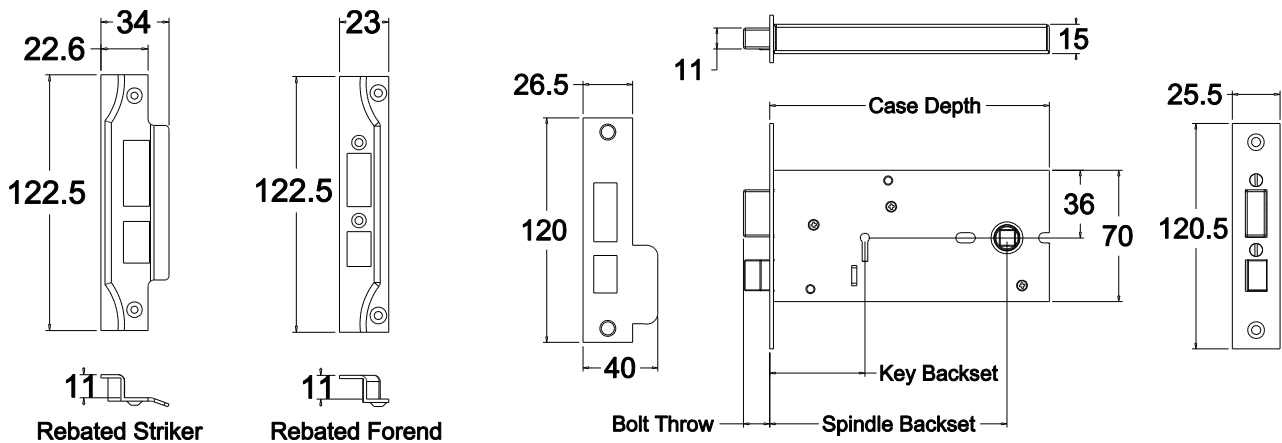
Rebated Forend & Striker sets to suit JM29R

Please indicate which type of finish when ordering. Refer page 3.

**Old style 5 Lever lock configuration with key and spindle in horizontal alignment.
Can be keyed alike to the 5 lever locks. Replaces many older style locks.**



JMW101



	Case Depth	Spindle Backset	Key Backset
JMW127	150	127	51
JMW101	124	101	38

CODES

- JMW127** 2 keys
- JMW127R** *Rebated (specify handing) 2 keys*
- JMW101** 2 keys
- JMW101R** *Rebated (specify handing) 2 keys*
- JMW127 BODY JMW101 BODY** *Body Only 2 keys*
- KITSJMW127/101**
Plain Forend & Striker sets to suit JMW127/JMW101
- KITSJMW127R/101R**
Rebated Forend & Striker sets to suit JMW127R/ JMW101R
- Rebated Only:** *Please specify RH or LH lock—Refer page 3*

MATERIALS

- Case: Galvanneal*
- Pins: Brass*
- Bolts: Brass*
- Kits: Brass*
- Levers: 5 Brass Open Ended Pick Resisting*
- Differs: Approximately 320*
- Key Blank: No. 747*

Please indicate which type of finish when ordering. Refer page 3.

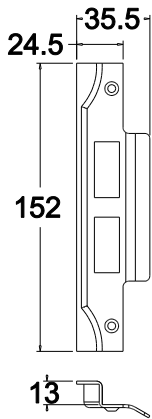
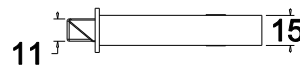
The JM160, 146, 125 are Privacy Locks suitable for bathrooms etc.



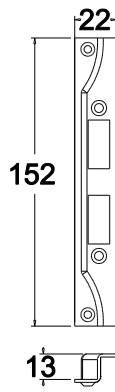
JM160



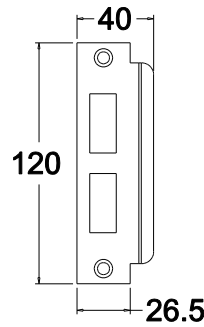
JM160R Rebated



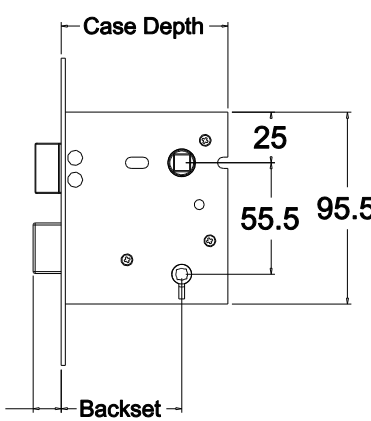
Rebated Striker



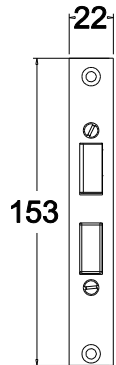
Rebated Forend



Bolt Throw



Backset



	Case Depth	Bolt Throw	Backset
JM160*	83	14	60
JM146*	69	14	46
JM125	55	10	30

CODES

JM160

JM160R Rebated

JM146

JM146R Rebated

JM125

JM125R Rebated

JM160 BODY JM146 BODY JM125 BODY Body Only

KITSJMC60/560 Plain Forend & Striker sets to suit JM160, 146, 125

KITSJMC60R/560R Rebated Forend & Striker sets to suit JM160, 146, 125

DS *These locks can be Double Sprung 'DS' on request.

MATERIALS

Case: Galvanneal

Pins: Brass

Bolts: Brass

Kits: Brass or Stainless Steel

Please indicate Broach size when ordering.

Broaches for Privacy Follower:

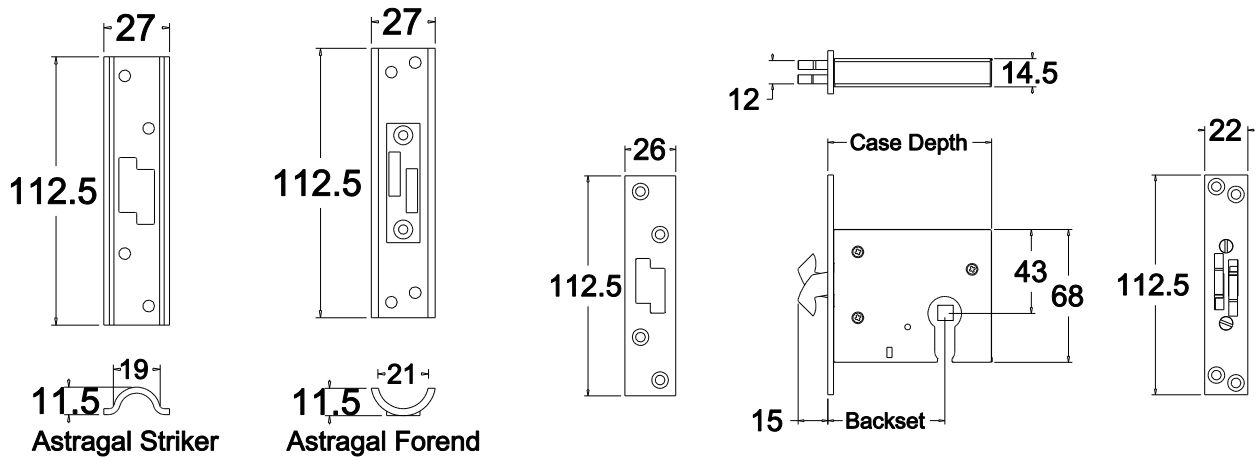
4.8mm 5.1mm 6.5mm 8.0mm 6mm x 2mm Flat Tail

*Please indicate which type of finish when ordering. Refer page 3.

The JMHSL PV60 and the JMHSL PV46 are claw privacy locks that use the JMHSL C60-C46 body with a privacy insert. The locks can be purchased complete or the Followers can be self installed into the JMHSL C60/C46.



JMHSL PV60



	Case Depth	Backset
JMHSL PV60	84	60
JMHSL PV46	71	46

CODES

JMHSL PV60 Sliding Privacy

JMHSL PV60A Sliding Privacy Astragal

JMHSL PV46 Sliding Privacy

JMHSL PV46A Sliding Privacy Astragal

JMHSL PV60 BODY JMHSL PV46 BODY Privacy Body Only

KITSJMHSL C60/560 Forend & Striker Sets to suit JMHSLC46, 60

KITSJMHSL C60A/560A Astragal Forend & Striker Sets to suit JMHSLC46A, 60A

JMHSL PV/FOLLOWER

MATERIALS

Case: Galvanneal

Pins: Brass

Kits: Brass or Stainless Steel

Bolt: Stainless Steel

Please indicate Broach size when ordering

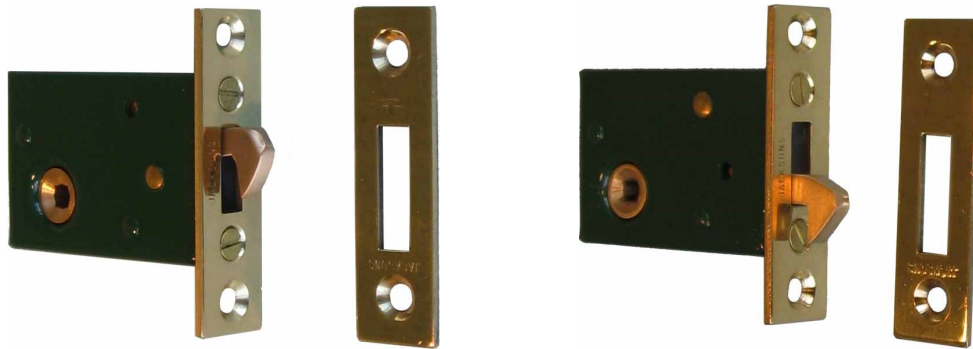
Broaches for Privacy Follower:

4.8mm 5.1mm 6.5mm 8mm 6mm x 2mm Flat Tail

Please indicate which type of finish when ordering. Refer page 3.

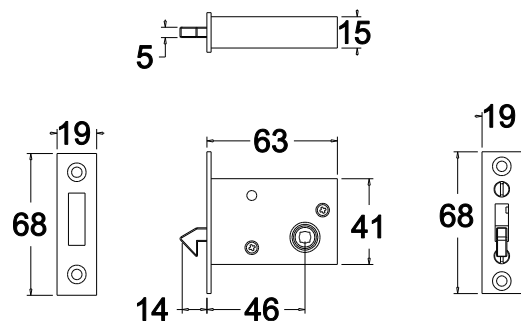
The JSP1 is a sliding privacy latch suitable for sliding toilet doors.

The JSL2 is a self latching sliding latch suitable for swimming pool doors and gates.



JSP1

JSL2



JSP1, JSL2

MATERIALS

Case: Galvanneal

Bolt: Brass or Stainless Steel

Pins: Brass or Stainless Steel

Kits: Brass or Stainless Steel

CODES

JSL2 Sliding Latch (specify broach size)

JSL2R Rebated

JSP1 (specify broach size)

JSP1R Rebated

KITSJSP1/ JSL2 Plain Kits

KITSJSP1R/JSL2R Rebated Kits

Please indicate Broach size when ordering

Broaches for Privacy Follower:

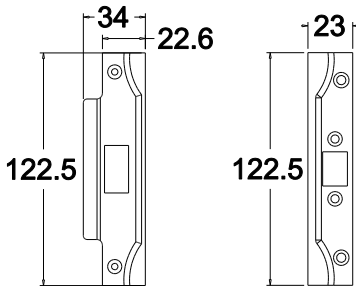
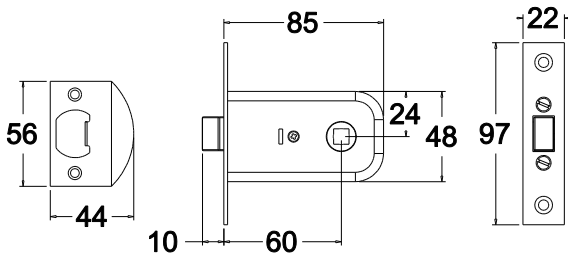
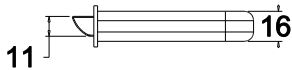
4.8mm 5.1mm 6.5mm 8mm 6mm x 2mm Flat Tail

Please indicate which type of finish when ordering. Refer page 3.

The JM60 and JM40 are latches. Rebated versions are available.



JM40 Latch Cannot be Double Sprung



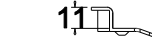
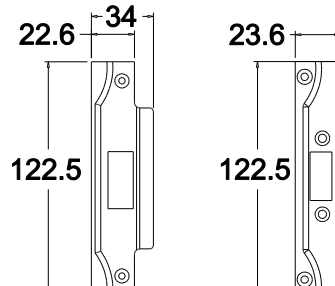
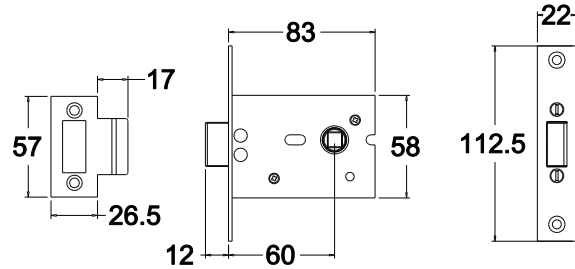
Rebated Forend



Rebated Striker



JM60 Latch



Rebated Striker



Rebated Forend

MATERIALS

Case: Galvanneal

Bolt: Brass

Kits: Brass or Stainless Steel

CODES

JM60 Latch

JM60R Rebated Latch

JM40 Latch Cannot be Double Sprung

JM40R Rebated Latch Cannot be Double Sprung

KITSJM60 Forend & Striker sets

KITSJM60R Rebated Forend & Striker sets

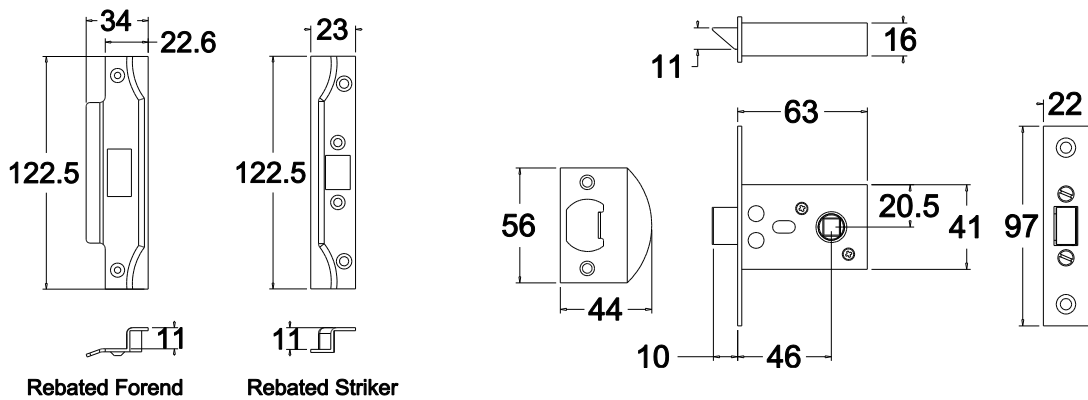
KITSJM40/46/Forend & Striker sets

KITSJM40R/46R/JMSPR Rebated Forend & Striker sets

DS *Double Sprung JM60 only

Please indicate which type of finish when ordering. Refer page 3.

The JM46 is a latch and can be double sprung on request. Rebated versions are available.



MATERIALS

Case: Galvanneal

Bolt: Brass

Kits: Brass or Stainless Steel

CODES

JM46 Latch

JM46R Rebated Latch

KITSJM40/46 Forend & Striker sets

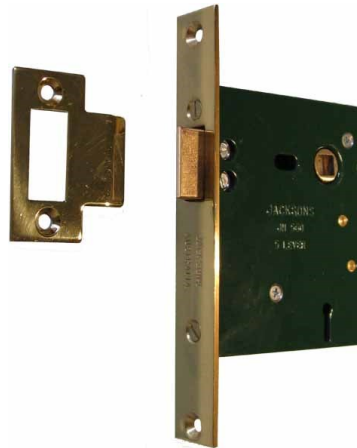
KITSJM40R/46R/JMSPR Rebated Forend & Striker sets

Please indicate which type of finish when ordering. Refer page 3.

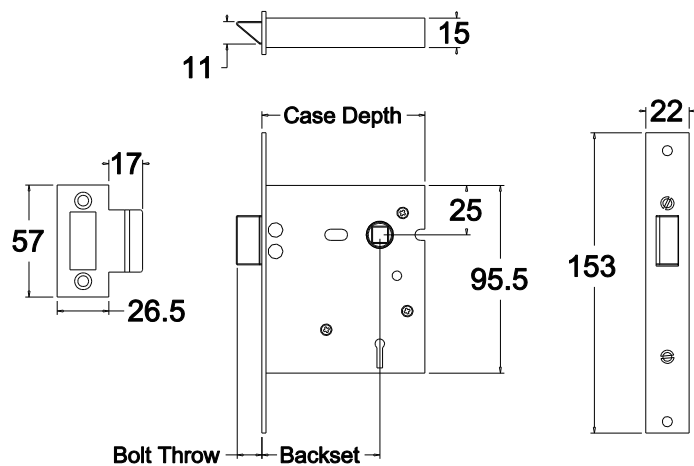
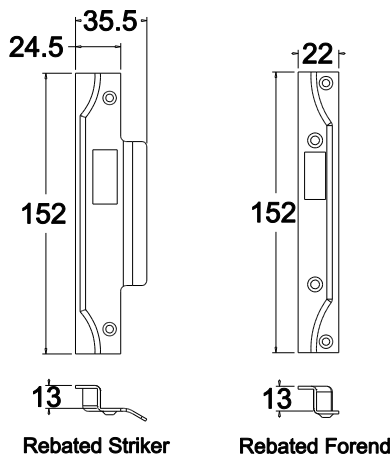
5 Lever lock case with latch only.



JM560LR Rebated
(Right hand shown)



JM560L



	Case Depth	Bolt Throw	Backset
JM560L*	83	14	60
JM546L*	69	14	46
JM25L	55	10	30

CODES

JM560L

JM560LR Rebated (specify handing)

JM546L

JM546LR Rebated (specify handing)

JM25L

JM25LR Rebated (specify handing)

JM560L BODY JM546L BODY JM25L BODY

Latch Body Only

KITSJMC60L/560L Plain Forend & Striker sets to suit Latches

KITSJMC60LR/560LR (specify handing)

Rebated Forend & Striker sets to suit Latches

Rebated Only: Please specify RH or LH lock—Refer page 3

DS *These locks can be Double Sprung 'DS' on request.

MATERIALS

Case: Galvanneal

Pins: Brass

Bolt: Brass

Kits: Brass or Stainless Steel

Please indicate which type of finish when ordering. Refer page 3.

Lock Boxes in 'A' style wraps around the forend and 'B' style have exposed tags top and bottom. Made of mild steel fully welded and sanded top and bottom, unplated or zinc plated available.



Jacksons JMC60A



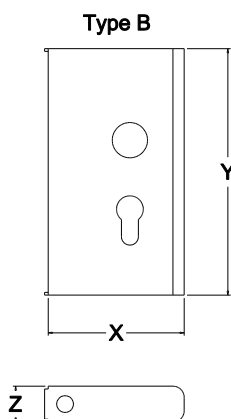
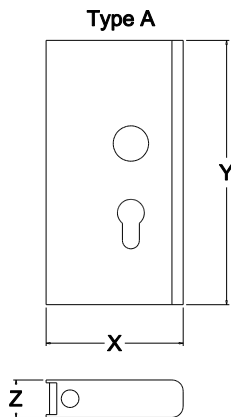
Protector 735 (3.0) A



Lockwood 3572A



Jacksons JM29B



Lock Suitable For	Lock Box Dimensions				Type
	Back Set	X	Y	Z	
Jacksons JM560		97	176	26.5	A
Jacksons JM560		96	159	25	B
Jacksons JMC60		98	187	27	A
Jacksons JMC60		98	174	25	B
Jacksons JM29		94	119	25	B
Lockwood 3570/3572		95	175	29.5	A
Lockwood 3570/3572		92	175	25	B
Lockwood 777		100	90	34	B
Lockwood 001		103	90	40	B
Lockwood 530/930	60m	119	120	34	B
Lockwood 530/930	70m	130	120	34	B
Lane Deadbolt		100	90	34	B
Gainsborough 755		91	265	27	A
Protector 735 3.0		96	170	30	A
Protector 735 2.5		82	170	30	A

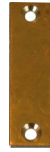
CODES

LBox Standard Mild Steel Lock Boxes

LBoxZPGP Lock Boxes Zinc Plated Gold Passivated



JC50 Tumbler



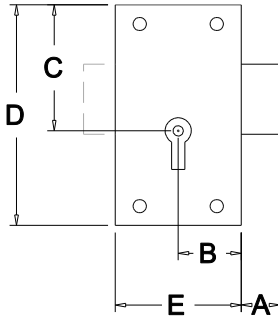
Cupboard Striker



Silca Bronze Key
JC50 & JC51 Only



Standard Key
JC50 JC51 JC60



FEATURES

Cap: Brass, Screwed cap except JC50, JC51 & JC60

Plate: Brass

Pins: Steel

Keys: 2 Standard, Can be Keyed Alike, Solid type key except JC50, JC51, JC60 & JC22

JC50, JC51 & JC60 available with Silca 3F2635 Bronze or Gold

Keys or 3 Leaf Type Steel Key Antique Brass Plated

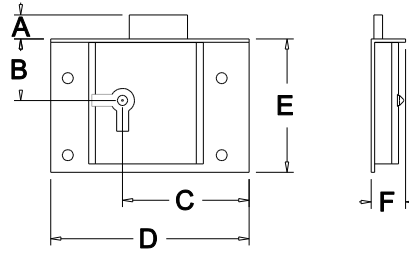
Surface Mounted

Codes	Dimensions					Approx. Differs	No. Levers	Key Hole	Key Blank	Max Door Thickness	Key Type
	A	B	C	D	E						
JC 22	9	15	31	51	30	12	2	1 Way	410	37mm	Tube
JC 252	11	18	39	63	36	12	2	2 Way	595	36mm	Solid
JC 32	11	18	45	76	36	12	2	2 Way	595	36mm	Solid
JC 50	10	18	36	63	36	1	1	1 Way	407	40mm	Tube
JC 60	10	18	43	76	36	1	1	1 Way	407	40mm	Tube
JC 51	7	13	29	51	26	1	1	1 Way	406	40mm	Tube

Minimum order of 5



JC72 Left Hand



Cut Cupboard Right or Left Hand

Codes	Dimensions						Key Differs	No. Levers	Key Hole	Key Blank	Max Door Thickness
	A	B	C	D	E	F					
JC72	8	19	37	63	42	11	12	2	2 Way	402	38mm
JC70	7	18	38	63	42	11	1	1	2 Way	408	38mm
JC76	7	18	44	76	42	11	1	1	2 Way	408	38mm

Minimum order of 5

FEATURES

Cap: Brass Cap & Plate

Pins: Steel

Keys: 2 Standard



JT 252



Drawer Striker



Silca Bronze Key
JT50 & JT51 Only

FEATURES

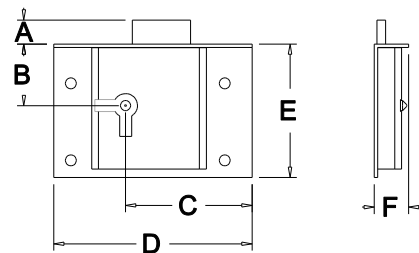
Cap: Brass, Screwed Cap except for JT50 & JT51

Plate: Brass JT51 Folded Plate

Pins: Steel

Keys: 2 Standard, Can be Keyed Alike, Tube type key, JT50 & JT51 available with Silca 3F2635 Bronze

Flush Rim Mounted



Codes	Dimensions						Key Differs	No. Levers	Key Hole	Key Blank	Max. Door Thickness
	A	B	C	D	E	F					
JT22	6	18	30	51	38	12	12	2	1 Way	402	38mm
JT252	7	18	36	63	42	11	5	2	2 Way	400	38mm
JT32	8	19	44	76	42	11	12	2	2 Way	402	38mm
JT50	7	18	38	63	42	11	1	1	2 Way	408	38mm
JT76	7	18	44	76	42	11	1	1	2 Way	408	38mm
JT51	7	18	36	57	39	10	1	1	2 Way	408	38mm

Minimum order of 5



JB21



Silca Bronze Key
JB21 & JB251 Only

FEATURES

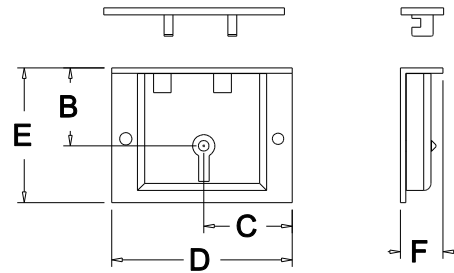
Cap: Brass, Screwed Cap

Plate: Brass

Pins: Steel

Keys: 2 Standard , Can be Keyed Alike, Tube type key, JB21, JB251, JB31 available with JB21 & JB251 available with Silca 3F2635 Bronze Keys

Flush Rim Mounted



Code	Dimensions					Key Differs	No. Levers	Key Hole	Key Blank	Max Door Thickness
	B	C	D	E	F					
JB21	21	25	51	37	12	1	2	1 Way	402	38mm
JB251	23	32	63	37	12	1	2	1 Way	402	38mm
JB31	23	37	76	37	12	1	2	1 Way	402	38mm

Minimum order of 5

Our Escutcheons are made of pressed brass and available in the following sizes.



A: EA Tack on Escutcheon
Unplated Brass Only
29x17mm



E: EE Push in Round Escutcheon
Chrome Plate & Polished Brass Only
22.5mm



B: EB JM29 Inner Escutcheon
19.5x46mm



C: EC JM29 Outer Escutcheon
19.5x46mm

CODES

EA: Tack on Brass Escutcheons (per 100) Unplated Brass Only

EJM20: JM20 Type Escutcheon

EB: JM29 Inner Escutcheon

EC: JM29 Outer Escutcheon

EE: Push in Round Brass Escutcheon Chrome Plate & Polished Brass Only.

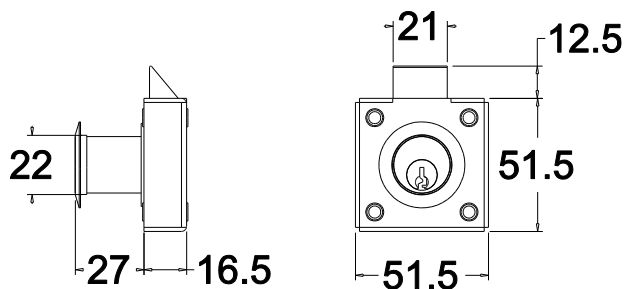
Please indicate which type of finish when ordering. Refer page 3.

SAFE LOCKS

JDL4 / 4 PIN TUMBLER



JDL4



4 PIN DRAWER LOCK

Case: Galvanneal

Bolt: Brass

Cylinder: 4 Pin Lockwood 690-2, Satin Chrome finish

Differs: 2,100

Keying: Can not be cut to code

Locks can be Keyed Alike

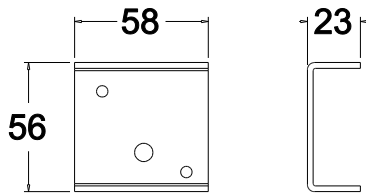
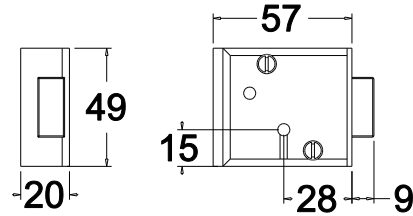
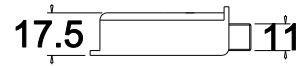
CODES

JDL4KA Keyed Alike

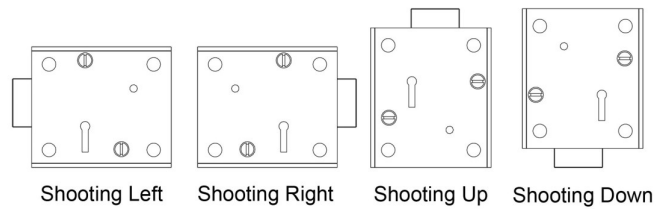
JDL4KD Keyed to Differ



JRL6 Cover Strap Type



Strap



For Handling Locks Please Specify Shooting:
Left - **L** Right - **R** Up - **U** Down - **D**

STRAP TYPE SAFE LOCK

Locking: up,down, left or right. Available with or without cover strap

Cap & Plate: 2mm Galvabond

Bolt: Brass

Levers: 6 Notched Brass Open Ended

Differs: Approximately 35,000

Strap: 2.5mm Mild Steel

Key Blanks:

No. 620-45mm stem length

No. 616-57mm stem length

No. 618-119mm stem length

No. 621-150mm stem length

CODES

JRL6 Cover Strap Type

JRL6SP JRL6 Stop Pin Add

JRL6KH JRL6 Keyhole Inserts Unplated 6mm, 9.5mm, 12.5mm

JRL6KHP JRL6 Keyhole Inserts Plated 6mm, 9.5mm 12.5mm

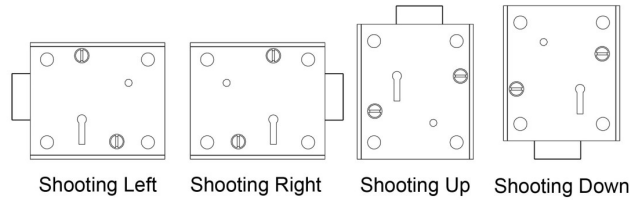
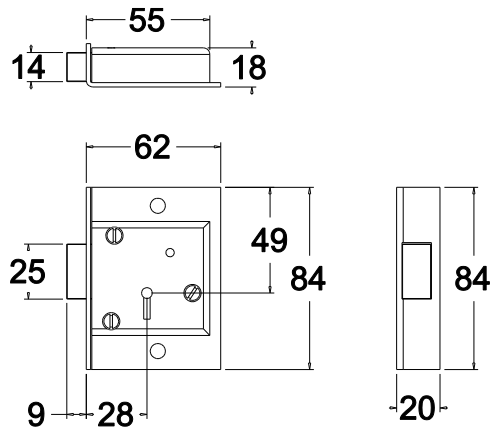
KA Keying Alike

KEX Extra Safe Keys during manufacturing

LEV Safe Levers



JBP6 Iron Plate Type



For Handing Locks Please Specify Shooting:
Left - **L** Right - **R** Up - **U** Down - **D**

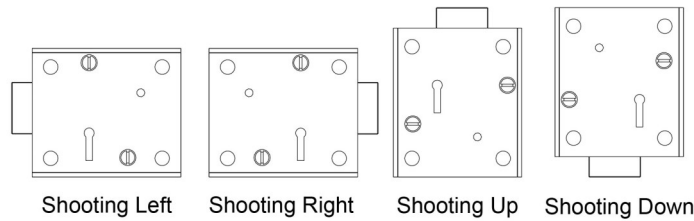
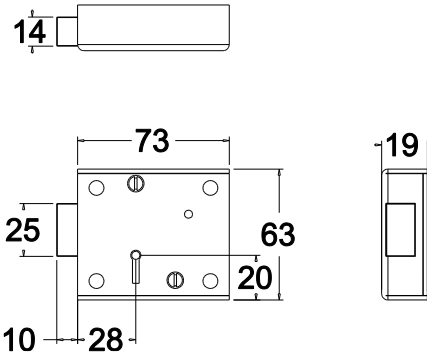
IRON PLATE SAFE LOCK
Locking: up, down, left or right.
Cap & Plate: 2mm Galvabond
Bolt: Brass
Levers: 6 Brass
Differs: Approximately 3,000
Key Blanks:
No. 553-51mm stem length
No. 552-65mm stem length

CODES

- JBP6** Iron Plate Type
- JBP6SP** JBP6 Stop Pin
- KA** Keying Alike
- KEX** Extra Safe Keys during manufacturing
- LEV** Safe Levers



JBS6 Block Type



For Handling Locks Please Specify Shooting:
Left - **L** Right - **R** Up - **U** Down - **D**

BLOCK SAFE LOCK

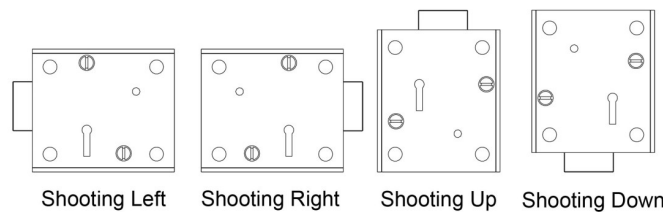
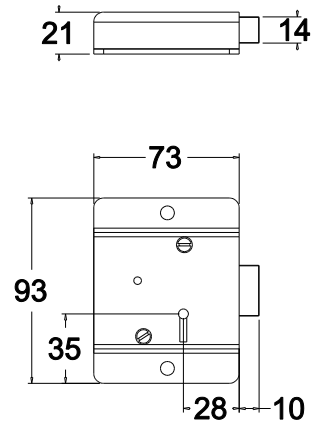
- Locking: up, down, left or right
- Cap : 2mm Galvabond
- Plate: 2.5mm Galvabond
- Bolt: Brass
- Levers: 6 Notched Brass Open Ended
- Differs: Approximately 35,000
- Key Blanks:
 - No. 547-42mm stem length
 - No. 546-51mm stem length
 - No. 545-65mm stem length
 - No. 540-103mm stem length
 - No. 608-153mm stem length
 - No. 602-155mm stem length

CODES

- JBS6** Block Type
- KA** Keying Alike
- KEX** Extra Safe Keys during manufacturing
- LEV** Safe Levers



JBW6 Winged Block
JBS6 but with modified plate



For Handing Locks Please Specify Shooting
Left **L** Right **R** Up **U** Down **D**

WINGED BLOCK TYPE SAFE LOCK

Locking: up, down, left or right

Cap : 2mm Galvabond

Plate: 2.5mm Galvabond Modified Plate

Bolt: Brass

Levers: 6 Notched Brass Open Ended

Differs: Approximately 35,000

Key Blanks:

No. 547-42mm stem length

No. 546-51mm stem length

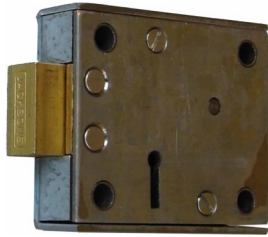
No. 545-65mm stem length

No. 540-103mm stem length

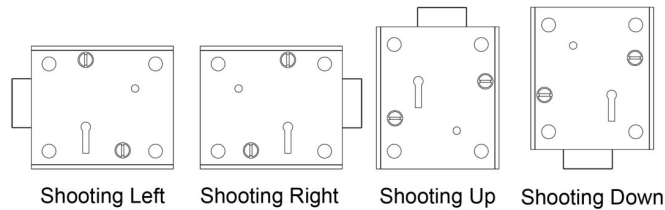
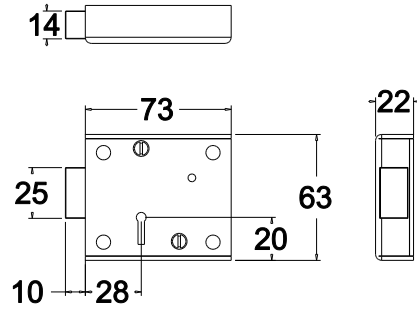
No. 608-153mm stem length

No. 602-155mm stem length

CODES	Lever
JBW6 <i>Winged Block</i>	6
JBW8 <i>Winged Block</i>	8
KA <i>Keying Alike</i>	
KEX <i>Extra Safe Keys during manufacturing</i>	
LEV <i>Safe Levers</i>	



JBS8 Block Type



For Handing Locks Please Specify Shooting:
Left - **L** Right - **R** Up - **U** Down - **D**

BLOCK TYPE SAFE LOCK

Locking: up, down, left or right.

Cap : 2mm Galvabond

Plate: 2.5mm Galvabond

Bolt: Brass

Levers: 8 Notched Brass Open Ended

Differs: Approximately 1,200,000

Key Blanks:

No. 544-65mm stem length

No. 542-89mm stem length

No. 541-103mm stem length

No. 608-153mm stem length

No. 602-155mm stem length

CODES

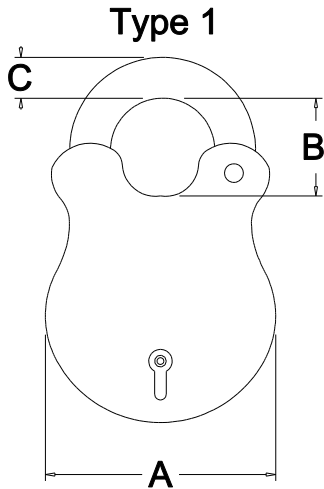
JBS8 Block Type

KA Keying Alike

KEX Extra Safe Keys during manufacturing

LEV Safe Levers

Jacksons padlocks suit most domestic, commercial, marine and institutional applications. Our padlocks will continue to operate under adverse conditions as they are resistant to dirt, water or moisture.



JP24A



Smooth Back Padlock
JP254 JP34 only



Padlock Key



Proud Rivetted Padlock
JP152 JP24A

FEATURES

Cap: Gunmetal

Plate: Brass, Gunmetal and Stainless Steel

Shackle: Manganese Bronze or Case Hardened Steel Shackle

Keys: 2 Standard Can be Keyed Alike

Code	Shackle	Dimensions			Differs	No. Levers	Back Type	Key Blank
		A	B	C				
JP152A	Bronze	38	15	7	10	2	PR	653
JP24A	Bronze	50	19	8.5	108	4	PR	645
JP24A	C/H Steel	50	20	8.5	108	4	PR	645
JP254	Bronze	63	20	13	108	4	S	639
JP254	C/H Steel	63	24	13	108	4	S	639
JP34	Bronze	70	20	13	108	4	S	639
JP34	C/H Steel	70	21	13	108	4	S	639

S =Smooth PR=Proud Rivetted

Padlocks are made to order lead times apply.